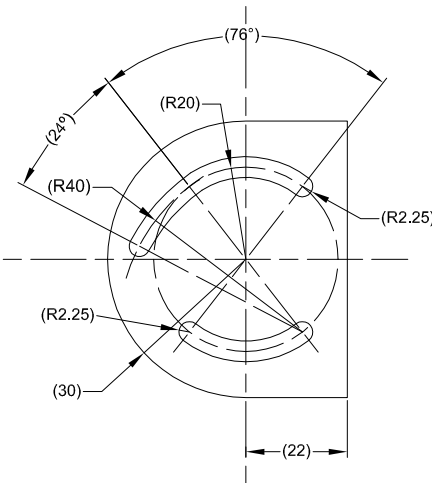
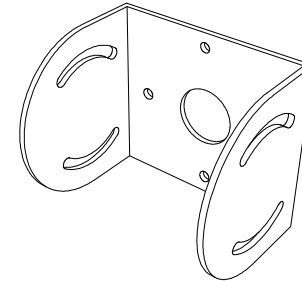
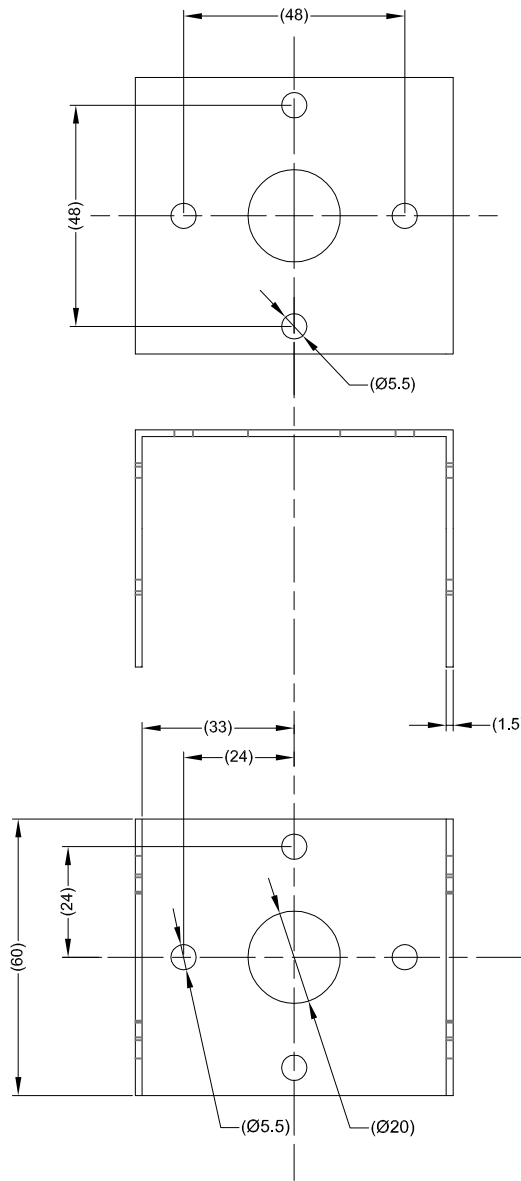


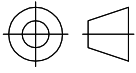
Revision Notes.				
R1 -				
APA: -	Drawn:-	Checked:-	Approved:-	Date: -



NOTES:
 1. MATERIAL 1.5mm THICK 4003 STAINLESS STEEL.
 2. FINISH: NATURAL.

PROPRIETARY NOTICE
 THIS DESIGN AND TECHNICAL INFORMATION APPEARING ON THIS DRAWING IS THE PROPERTY OF BRIGADE ELECTRONICS, AND IS DISCLOSED IN CONFIDENCE. IT IS NOT TO BE COPIED, REPRODUCED, REVEALED TO OR EXPROPRIATED BY OTHERS, EITHER IN WHOLE OR IN PART WITHOUT THE EXPRESS WRITTEN CONSENT OF BRIGADE ELECTRONICS.

BRIGADE®
 www.brigade-electronics.com

Assembly Pl Approval JOHN MILLER 11/06/14	Approved by B.CHILDS	Checked by R.BATES	Drawn by P.MISSEN
Angle of Projection  Third Angle	Units mm	Scale N/A	Released 18/06/14
Status RELEASED	Assembly Ref -		
Part No 4713	BE-002905-00-14		